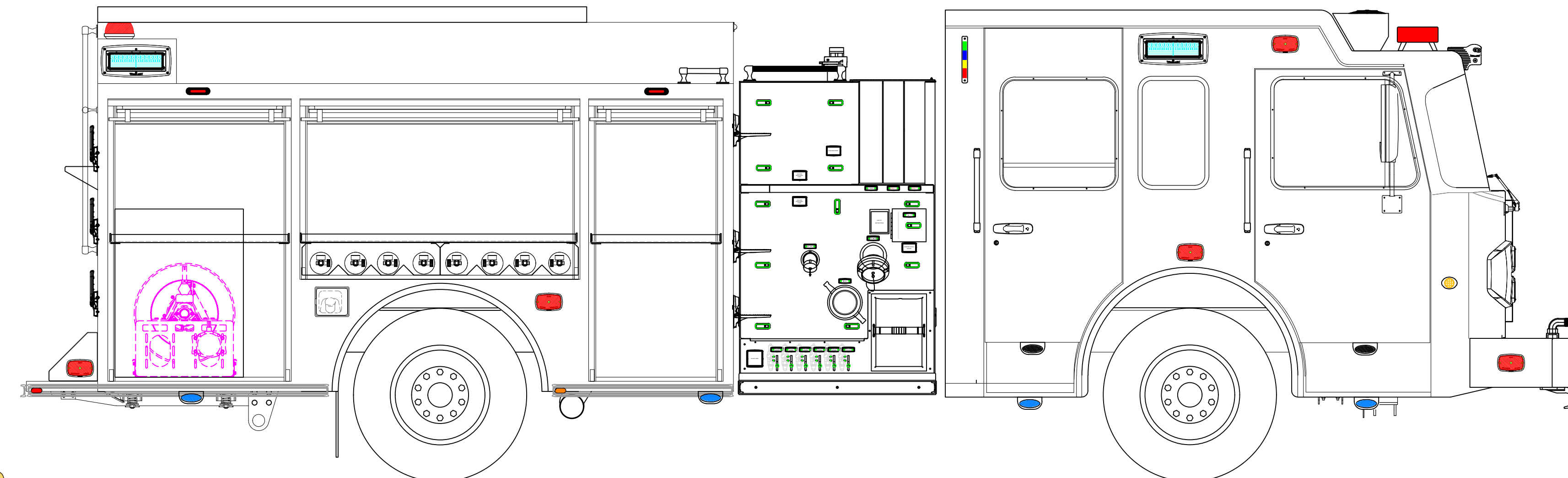
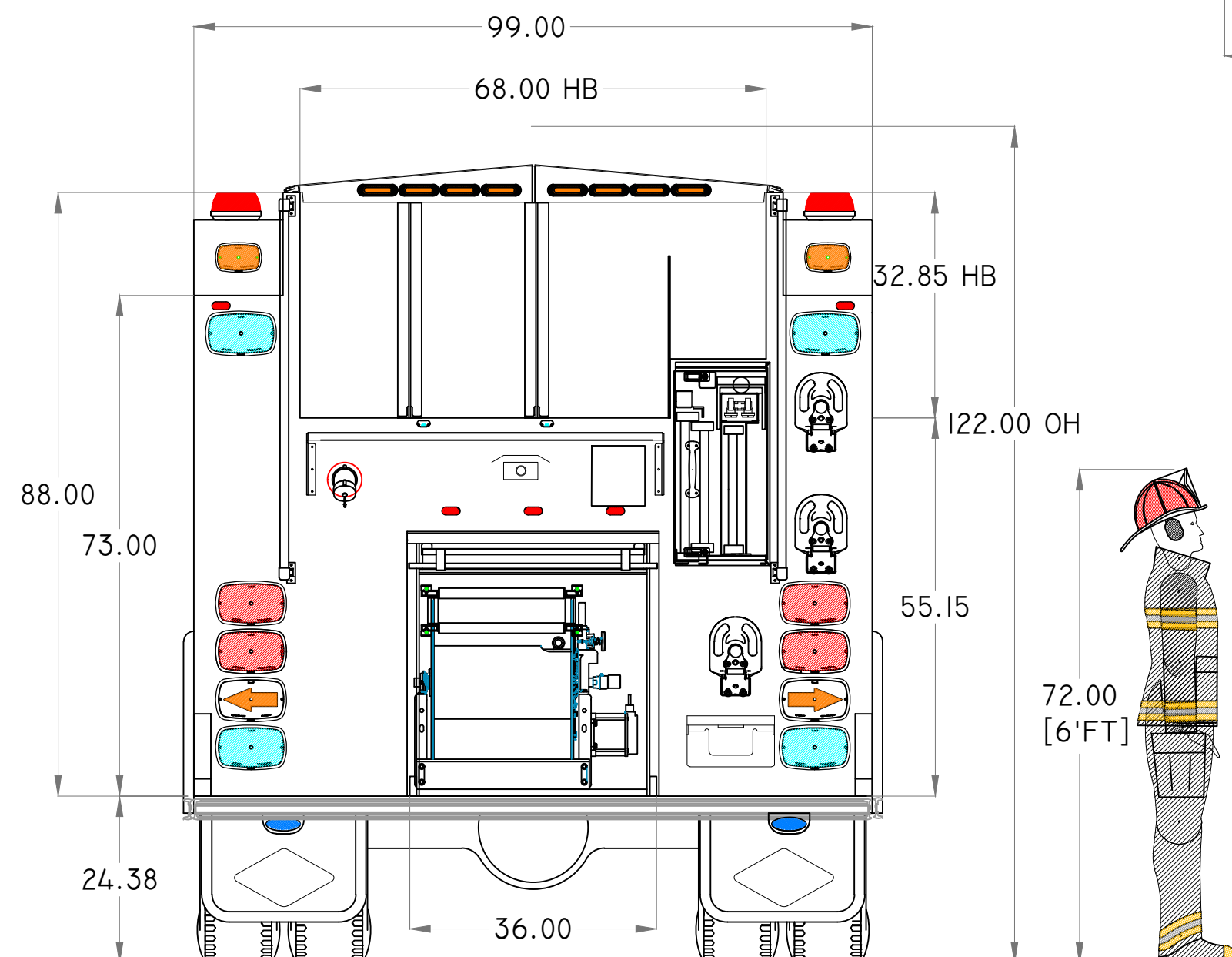
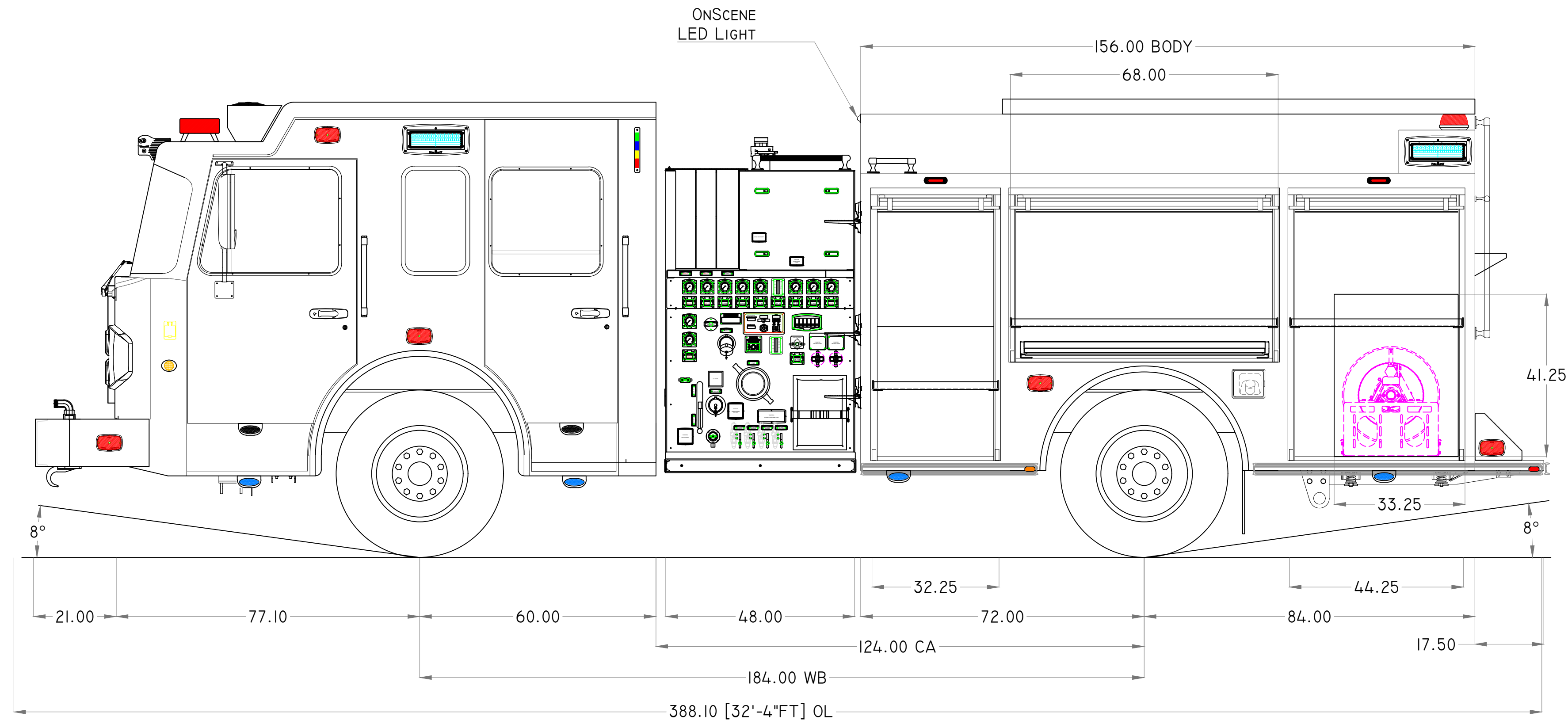
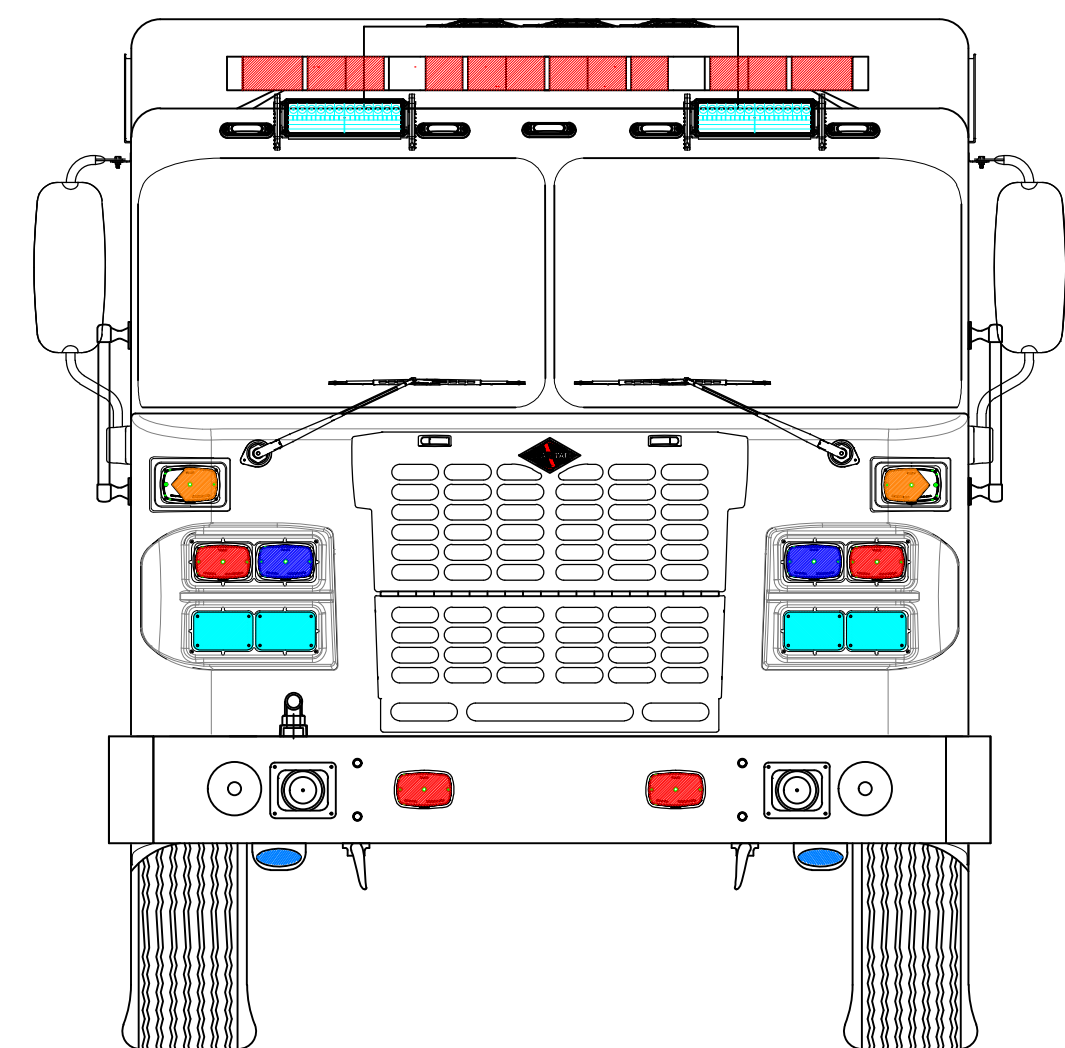
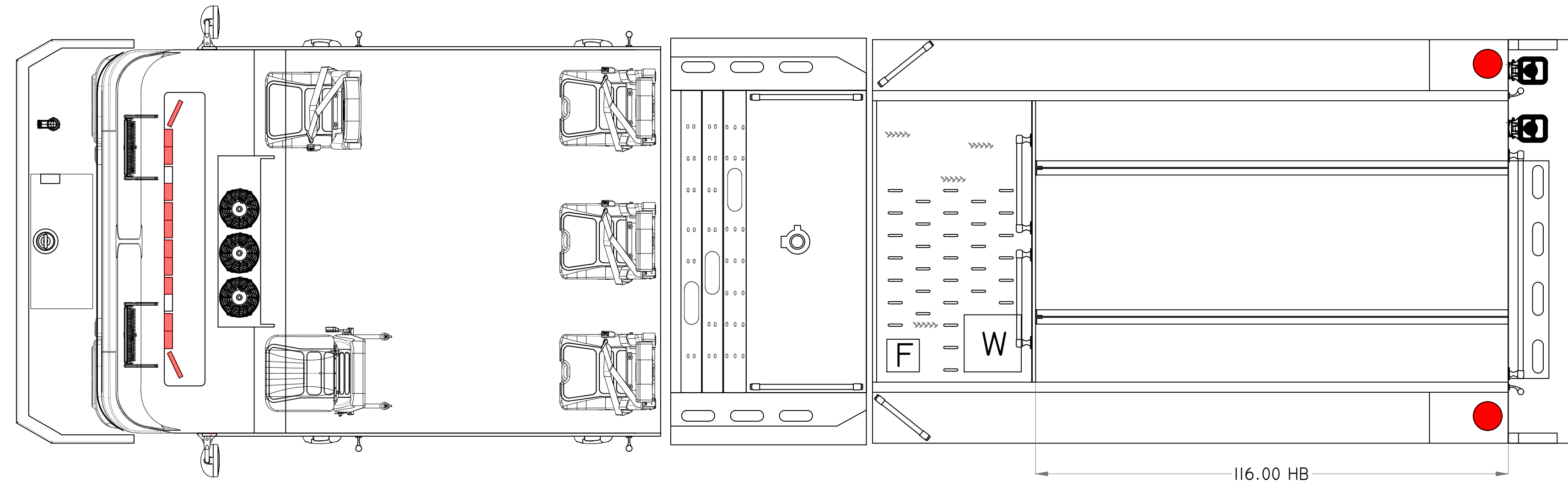




COMPARTMENT	VOLUME (CUBIC FEET)
L1	29.4
L2	27.3
L3	36.4
R1	29.4
R2	27.3
R3	36.4
BI	31.9
HOSE BED AREA	150.1



CHASSIS: SPARTAN METRO STAR EMFD 10" RR
 ENGINE: CUMMINS L9 450 HP
 TRANSMISSION: ALLISON 3000 EVS
 AXLES: F 20,000 LB / R 26,000 LB
 MODEL: 2114
 WATER/FOAM: 750 GALLONS / 20 GALLONS
 PUMP: WATEROUS CSU I500 GPM
 FOAM SYSTEM: FoAMPro I600
 GENERATOR: N/A

DOOR FRAMED OPENINGS	
COMPARTMENT	DOOR FRAMED OPENING
L1	32.25-W x 68.0-H
L2	68.0-W x 43.0-H
L3	44.25-W x 68.0-H
R1	32.25-W x 68.0-H
R2	68.0-W x 43.0-H
R3	44.25-W x 68.0-H
BI	36.0-W x 36.875-H

SPECIAL NOTES:
LADDER PACKAGE
 (1) DUO-SAFETY 24 FT.-2 SEC, 900A
 (1) DUO-SAFETY 14 FT. ROOF, 775A
 (1) DUO-SAFETY 10 FT. ATTIC, 585A

STORAGE FOR
 (1) 18" x 72" FERNO BACKBOARD
 (2) PIKE POLES WITH STANDARD HOOK
 (1) ARSON TRASH HOOK, UP TO 12FT LONG

CUSTOMER
 THIS DRAWING IS A CLOSE APPROXIMATION OF YOUR FIRE APPARATUS. IN ALL CASES WHERE THE DRAWING AND THE WRITTEN SPECIFICATION DIFFER, THE SPECIFICATION SHALL PREVAIL. PLEASE WORK WITH YOUR DEALER TO ASSURE THAT THE WRITTEN SPECIFICATION REPRESENTS WHAT YOU WANT IN YOUR FINISHED PRODUCT. SPARTAN EMERGENCY RESPONSE BUILDS TO THE WRITTEN SPECIFICATION, NOT THE DRAWING TO ASSURE THAT YOUR NEEDS ARE MET.

PROPRIETARY AND CONFIDENTIAL
 THE INFORMATION CONTAINED IN THIS DRAWING IS THE SOLE PROPERTY OF SPARTAN EMERGENCY RESPONSE. ANY REPRODUCTION IN PART OR AS A WHOLE WITHOUT THE WRITTEN PERMISSION OF SPARTAN EMERGENCY RESPONSE IS PROHIBITED. SPARTAN MOTORS USA, INC. D/B/A SPARTAN EMERGENCY RESPONSE.

REV	DATE	DESCRIPTION	NAME
2	05/12/23	REMOVED CLASS A LABEL	NAS
1	04/22/22	ENG REVIEW	JM
0	01/31/22	FROM 2114-09	WC

SCALE: NOT TO SCALE

CUSTOMER: _____
 DEALER: _____

TRUCK NUMBER: _____
 MODEL 2114-10